



ULTRA LOW POWER CRYSTAL OSCILLATOR – AIP-OSC32K-ULP

FEATURES

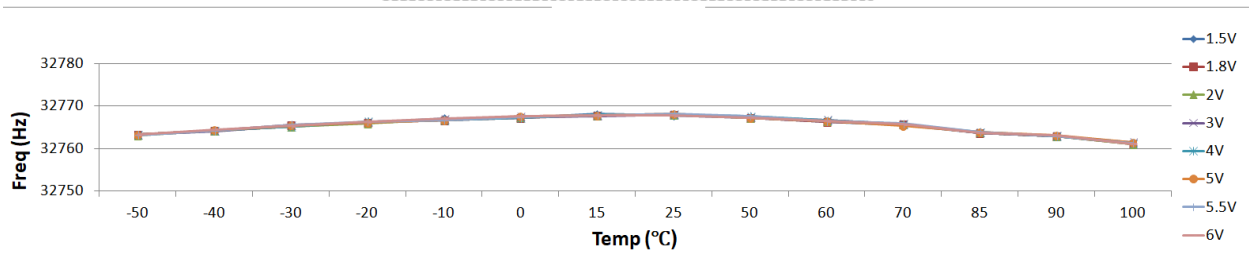
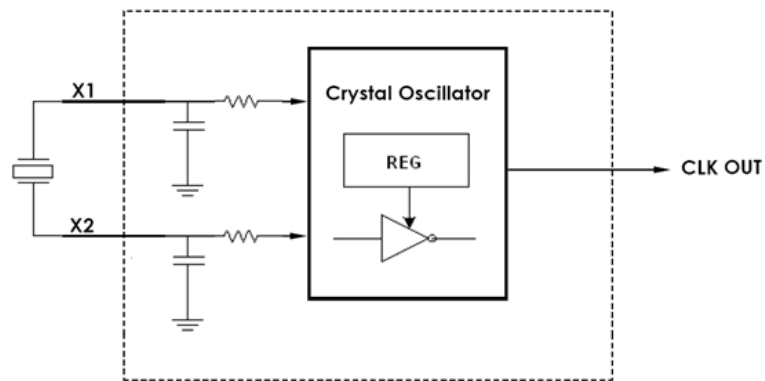
- ▶ Supply voltage: 1.6V – 5.5V
- ▶ Output frequency range: 32KHz – 32.768KHz
- ▶ Current consumption: 80nA @ low VDD
- ▶ Unique feedback control for fast startup
- ▶ Output duty cycle: 50% approx.
- ▶ Power-up/down control
- ▶ Power-down mode (consumption <2nA)
- ▶ Total core area: NDA required
- ▶ Temperature: -40C to 85C
- ▶ Process technology: Please contact us for details

OVERVIEW

- ▶ A very low power crystal or quartz oscillator consuming 80nA.
- ▶ Delivers optimal jitter performance.
- ▶ Unique feedback control to ensure fast startup time and self oscillation.
- ▶ Ideal for ultra low power applications such as: IoT, portable devices and real time clock.

IP STATUS

- ▶ SILICON PROVEN



ASI, INC. CONFIDENTIAL INFORMATION

ASI reserves the right to make changes to the information contained herein without notice. No liability shall be incurred as a result of its use or application.

www.advsensor.com
contact@advsensor.com
75 Santa Clara Street, Suite 1210,
San Jose, CA 95113, United States